

E1016-813

TOLERANCES
UNLESS OTHERWISE SPECIFIED:

FRACTIONS ±1/64"
ANGLES ±1/2°

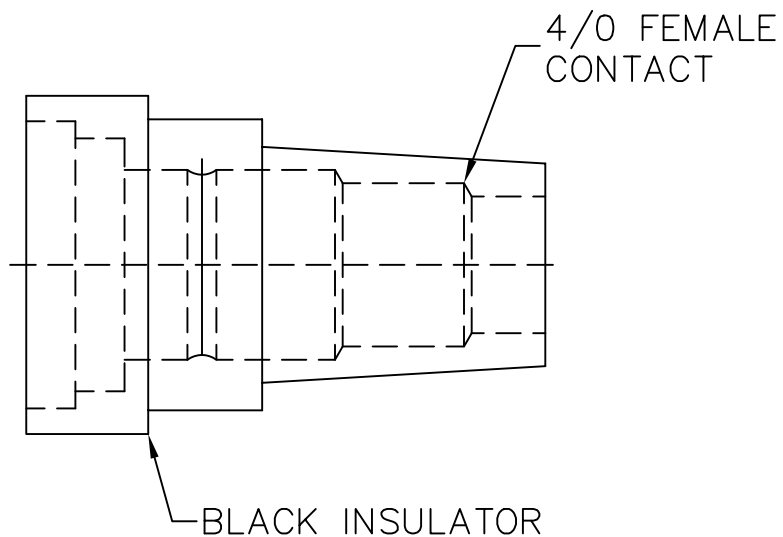
DECIMALS,

1 PLC.= ±.030
2 PLC.= ±.015
3 PLC.= ±.005

ENG. ORDER _____

DATE ISSUED _____

REVISIONS



COOPER
Crouse-Hinds Molded Products

THIS DOCUMENT CONTAINS CONFIDENTIAL AND TRADE SECRET INFORMATION WHICH IS THE PROPERTY OF CROUSE-HINDS, A DIVISION OF COOPER INDUSTRIES, INC. AND RECEIPT OR POSSESSION DOES NOT CONVEY ANY RIGHTS TO LOAN, SELL, OR OTHERWISE DISCLOSE SAID INFORMATION. REPRODUCTION OR USE OF SAID INFORMATION FOR ANY PURPOSE OTHER THAN THAT IN CONNECTION WITH WHICH SAID INFORMATION WAS SUPPLIED MAY NOT BE MADE WITHOUT EXPRESS WRITTEN PERMISSION OF CROUSE-HINDS. THIS DOCUMENT IS TO BE RETURNED TO COOPER INDUSTRIES, INC. UPON REQUEST AND IN ALL EVENTS UPON COMPLETION OF THE PURPOSE FOR WHICH IT IS LOANED.

TITLE: FEMALE SAFETY TERMINALS ROUND
E1016-813

SIMILAR TO/REPLACES

DR. RDE

SCALE NONE

SHT

DRAWING SIZE A

CK.

DWG. NO.

OF

ACAD DIR= C:/CAD

ACAD FILE= E1016-813

E1016-813